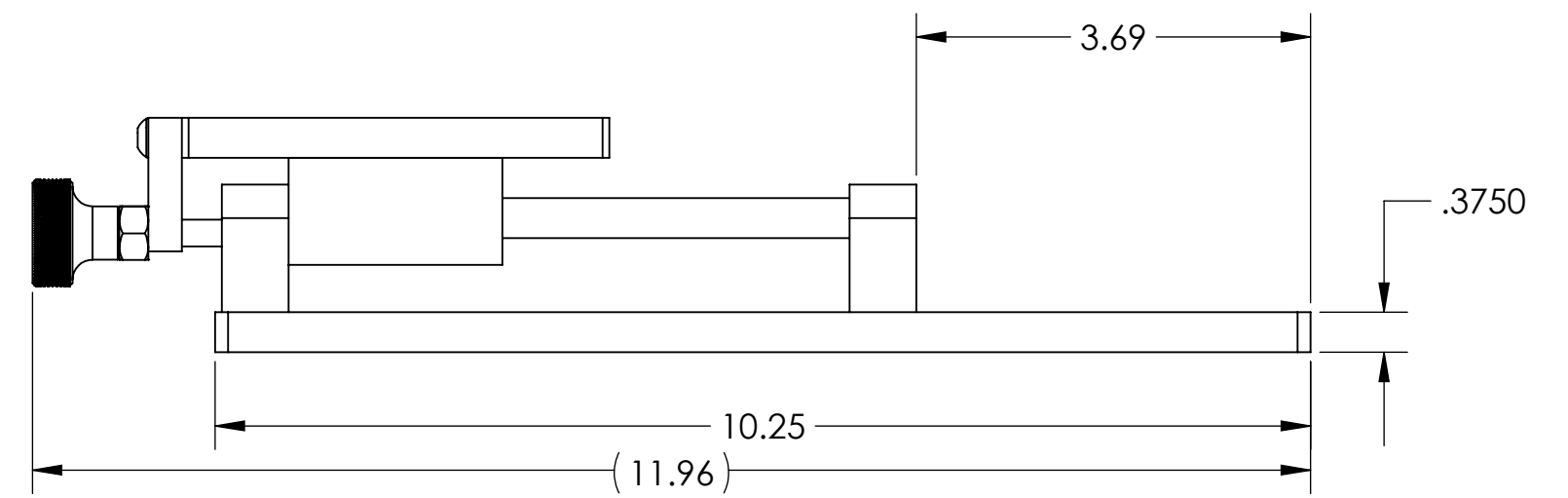
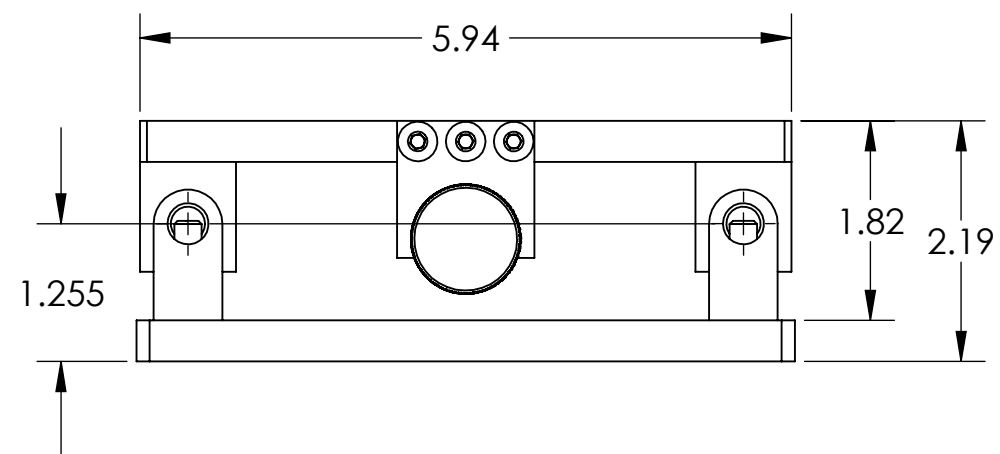
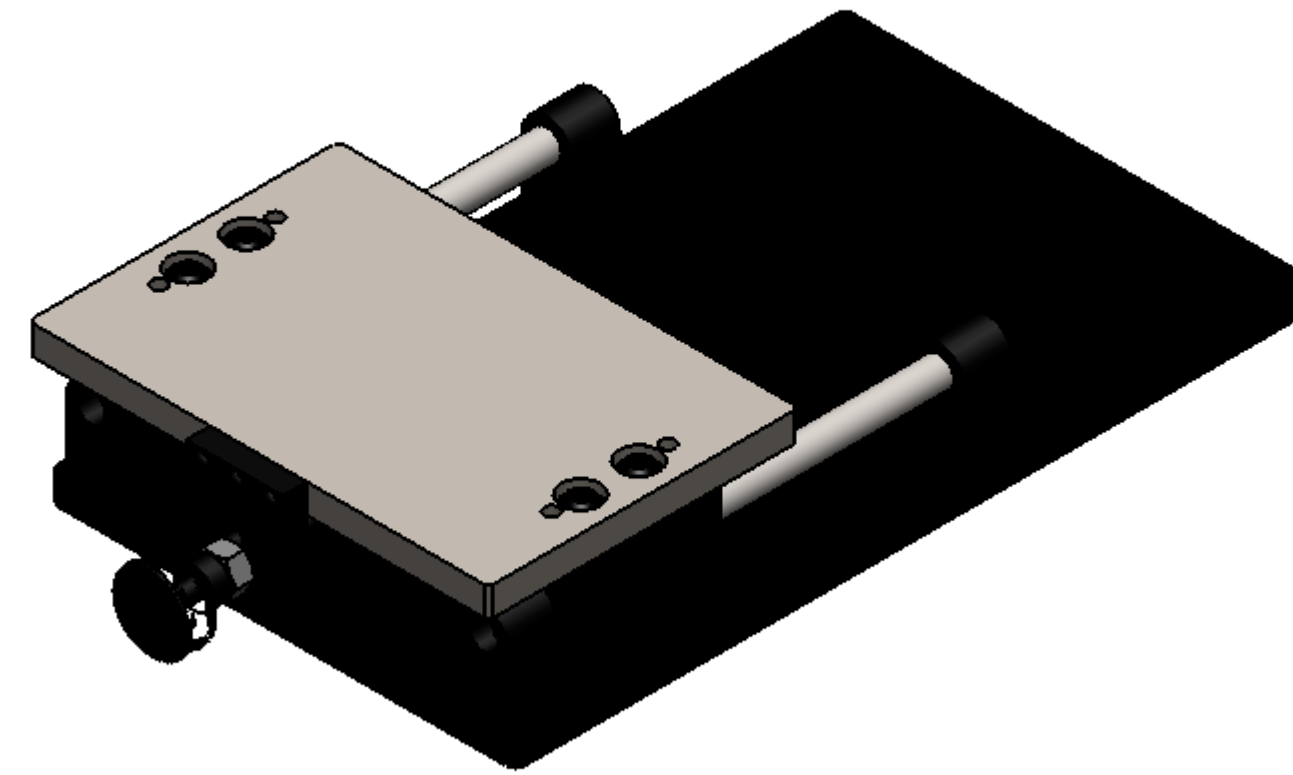
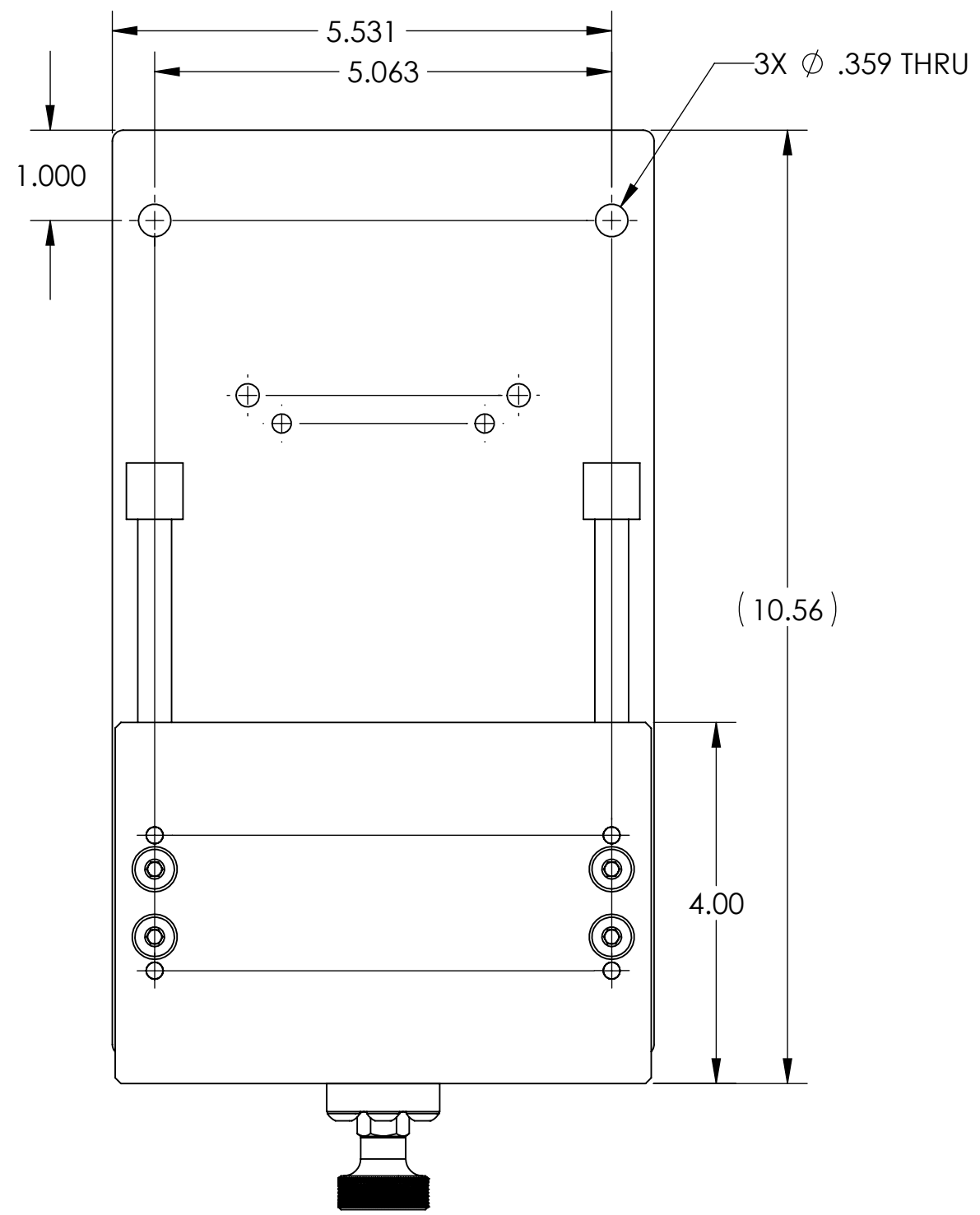


NOTE:
1. SLIDE TRAVELS 3.25 INCHES

	Janesville Tool & Manufacturing Inc. 3930 Enterprise Drive Janesville, WI 53546 Phone: 608-314-1620, Fax 608-314-1625		
	TITLE: MULTI-POSITION FIXTURE 0631		
	SIZE C	DWG. NO. 0631	REV A
	SCALE: 1:2	WEIGHT: 10.56	SHEET 1 OF 2



NOTE:
1. SLIDE TRAVELS 3.25 INCHES

	Janesville Tool & Manufacturing Inc.		
	3930 Enterprise Drive Janesville, WI 53546		
	Phone: 608-314-1620, Fax 608-314-1625		
	TITLE: MULTI-POSITION FIXTURE 0632		
SIZE	DWG. NO.	REV	
C	0632	A	
SCALE: 1:2	WEIGHT: 10.67	SHEET 2 OF 2	